

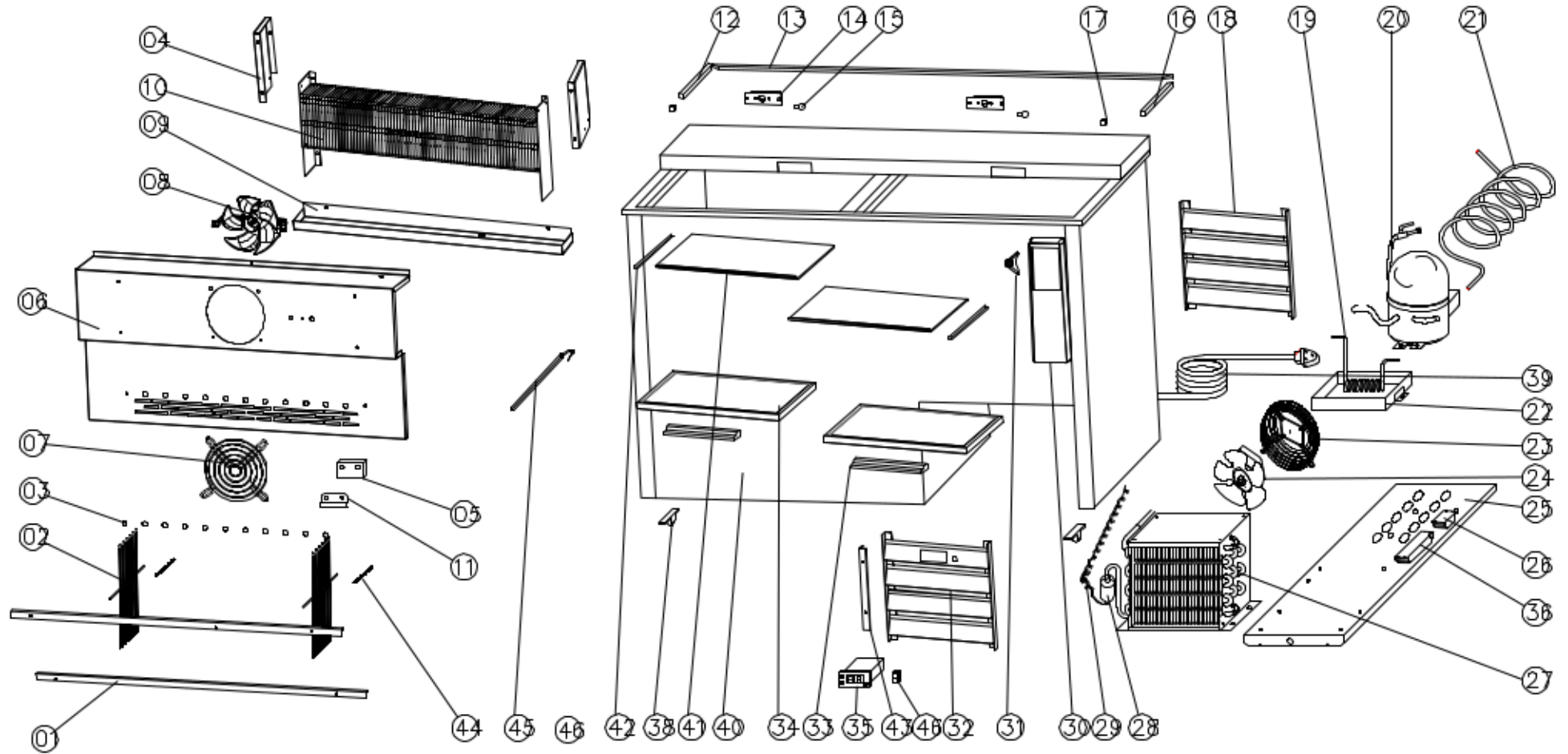
PARTS EXPLODED VIEW: HC-VPB50

For parts or additional information call support @ 1-813-502-0300



Email: info@valpromail.com

Web: <http://valprorefrigeration.com>



SPARE PARTS LIST OF: HC-VPB50

NO	CODE	NAME	MODEL	QTY	MATERIAL	REMARK
01	B65.01	SUPPORT		2PCS	STAINLESS	
02	B50.02	SHELF		2PCS		
03	B50.03	SHELF PROTECTOR PIN		32PCS		1-20-2
04	B50.04	EVAPORATOR SUPPORT		1PC		
05	GN650TN.17	PROBE PADDING		1PC	STAINLESS	
06	B65.06	EVAPORATOR COVER		1PCS		
07	HC-TUC27.04	CIRCLE FANCOVER		1PCS		
08	HC-TUC27.06	CIRCLE FAN	BLDC	1PCS		
09	B65.08	EVAPORATOR WATER PAN		1PC		
10	B65.09	EVAPORATOR		1PC		
11	S900.31	SENSOR FIXED CLIP		1PC	STAINLESS	
12	B50.11	LEFT OMAMENT		1PC	PLASTIC	LEFT/RIGHT
13	B50.12	BACK OMAMENT		1PC	PLASTIC	
14	B50.13	LOCK BOX		2PCS	PLASTIC	
15	BC2100.05	LOCK		2PCS		
16	B50.15	RIGHT OMAMENT		1PC	PLASTIC	LEFT/RIGHT
17	B50.16	OMAMENT CLIP		1PC	PLASTIC	
18	B50.17	BACK AIR FLOW WINDOW		1PC		
19	B50.18	EVAPORATOR PIPE		1PC		
20	HC-TUC48.05	COMPRESSOR	HDL140D	1PC		
21	HC-B36.01	SUCTION PIPE		1PC	COPPER	
22	B50.21	WATER BOX		1PC		
23	HC-B36.02	BASKET GUARD GRILLS	BD/BC-768F	1PC	COATED STEEL	
24	HC-B36.03	CONDENSER FAN	YZF10-20-26-UL	1PC		
25	B50.24	UNIT BOARD		1PC		

26	HC-B36.04	LED POWER SUPPLY	B50/B65 (12V/6W)	1PC		
27	HC-B36.05	CONDENSER		1PC		
28	GN1410TN.14	FILTER DRIER	25g	1PC	XH-9	
29	B50.28	CAPILLARY	Φ1.0×3000	1PC	COPPER	
30	B50.29	BOTTLE CAP BOX		1PC		
31	B50.30	BOTTLE OPENER		1PC		
32	B50.31	FRONT AIR FLOW WINDOW		1PC	ZINC	
33	HGD-48L.02	HANDLE		2PCS		
34	B50.33	DOOR	Φ6	2PCS		
35	27R.10	CONTROLLER		1PC		
36	HC-TUC27.16	LED POWER SUPPLY	led-B-13Vdc-15W	1PC		
38	HGD-12R.04	BACK WHEEL		4PCS		
39	27R.14	PLUG		1PC		
40	B50.40	BODY		1PC		
41	B50.41	AIR CONDUCT BOARD		2PCS		
42	B50.42	AIR CONDUCT BOARD SUPPORT		1PAIR		LEFT/RIGHT
43	B50.43	WINDOW FIXED STRIP		1PAIR		
44	B50.44	SPRING		2PCS		
45	B50.45	LED LAMP		1PC		
46	B50.46	LAMP SWITCH		1PC		