

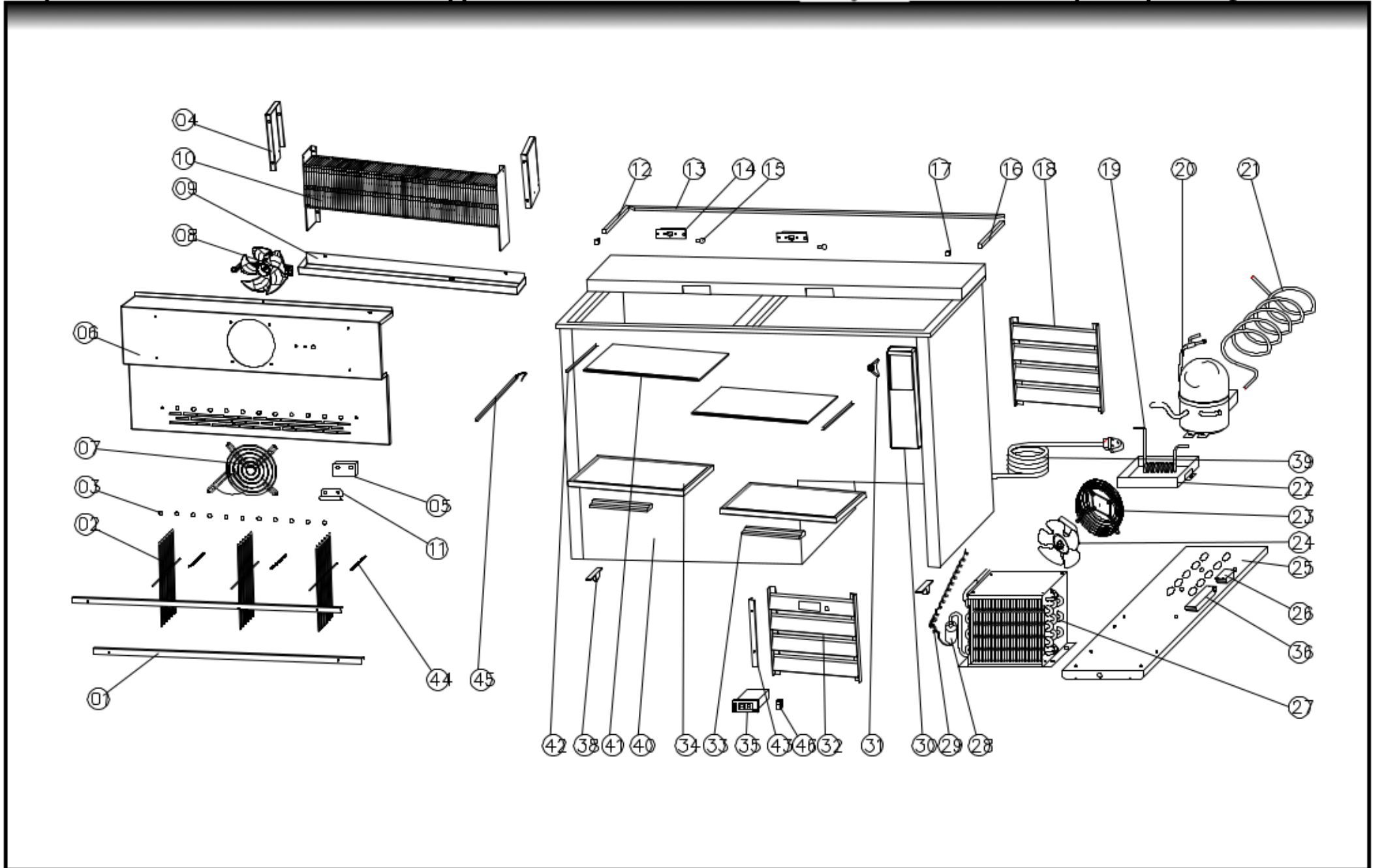
**PARTS EXPLODED VIEW: HC-VPB65**

For parts or additional information call support @ 1-813-502-0300



Email: [info@valpromail.com](mailto:info@valpromail.com)

Web: <http://valprorefrigeration.com>



## SPARE PARTS LIST OF: HC-VPB65

NO	CODE	NAME	MODEL	QTY	MATERIAL	REMARK
01	B65.01	SUPPORT		2PCS	STAINLESS	
02	B50.02	SHELF		3PCS		
03	B50.03	SHELF PROTECTOR PIN		41PCS		
04	B50.04	EVAPORATOR SUPPORT		1PC		
05	GN650TN.17	PROBE PADDING		1PC	STAINLESS	
06	B65.06	EVAPORATOR COVER		1PCS		
07	HC-TUC27.04	CIRCLE FANCOVER		1PCS		
08	HC-TUC27.06	CIRCLE FAN	BLDC	1PCS		
09	B65.08	EVAPORATOR WATER PAN		1PC		
10	B65.09	EVAPORATOR		1PC		
11	S900.31	SENSOR FIXED CLIP		1PC	STAINLESS	
12	B50.11	LEFT OMAMENT		1PC	PLASTIC	LEFT/RIGHT
13	B65.12	BACK OMAMENT		1PC	PLASTIC	
14	B50.13	LOCK BOX		2PCS	PLASTIC	
15	BC2100.05	LOCK		2PCS		
16	B50.15	RIGHT OMAMENT		1PC	PLASTIC	LEFT/RIGHT
17	B50.16	OMAMENT CLIP		1PC	PLASTIC	
18	B50.17	BACK AIR FLOW WINDOW		1PC		
19	B50.18	EVAPORATOR PIPE		1PC		
20	HC-TUC48.05	COMPRESSOR	HDL140D	1PC		
21	HC-B36.01	SUCTION PIPE		1PC	COPPER	
22	B50.21	WATER BOX		1PC		
23	HC-B36.02	BASKET GUARD GRILLS	BD/BC-768F	1PC	COATED STEEL	
24	HC-B36.03	CONDENSER FAN	YZF10-20-26-UL	1PC		
25	B50.24	UNIT BOARD		1PC		

26	HC-B36.04	LED POWER SUPPLY	B50/B65 (12V/6W)	1PC		
27	HC-B36.05	CONDENSER		1PC		
28	GN1410TN.14	FILTER DRIER	25g	1PC	XH-9	
29	B50.28	CAPILLARY		1PC	COPPER	
30	B50.29	BOTTLE CAP BOX		1PC		
31	B50.30	BOTTLE OPENER		1PC		
32	B50.31	FRONT AIR FLOW WINDOW		1PC	ZINC	
33	HGD-48L.02	HANDLE		2PCS		
34	B65.33	DOOR	Φ6	2PCS		
35	27R.10	CONTROLLER		1PC		
36	HC-TUC27.16	LED POWER SUPPLY	led-B-13Vdc-15W	1PC		
38	HGD-12R.04	BACK WHEEL		4PCS		
39	27R.14	PLUG		1PC		
40	B65.40	BODY		1PC		
41	B65.41	AIR CONDUCT BOARD		2PCS		
42	B50.42	AIR CONDUCT BOARD SUPPORT		1PAIR		LEFT/RIGHT
43	B50.43	WINDOW FIXED STRIP		1PAIR		
44	B50.44	SPRING		3PCS		
45	B50.45	LED LAMP		1PC		
46	B50.46	LAMP SWITCH		1PC		