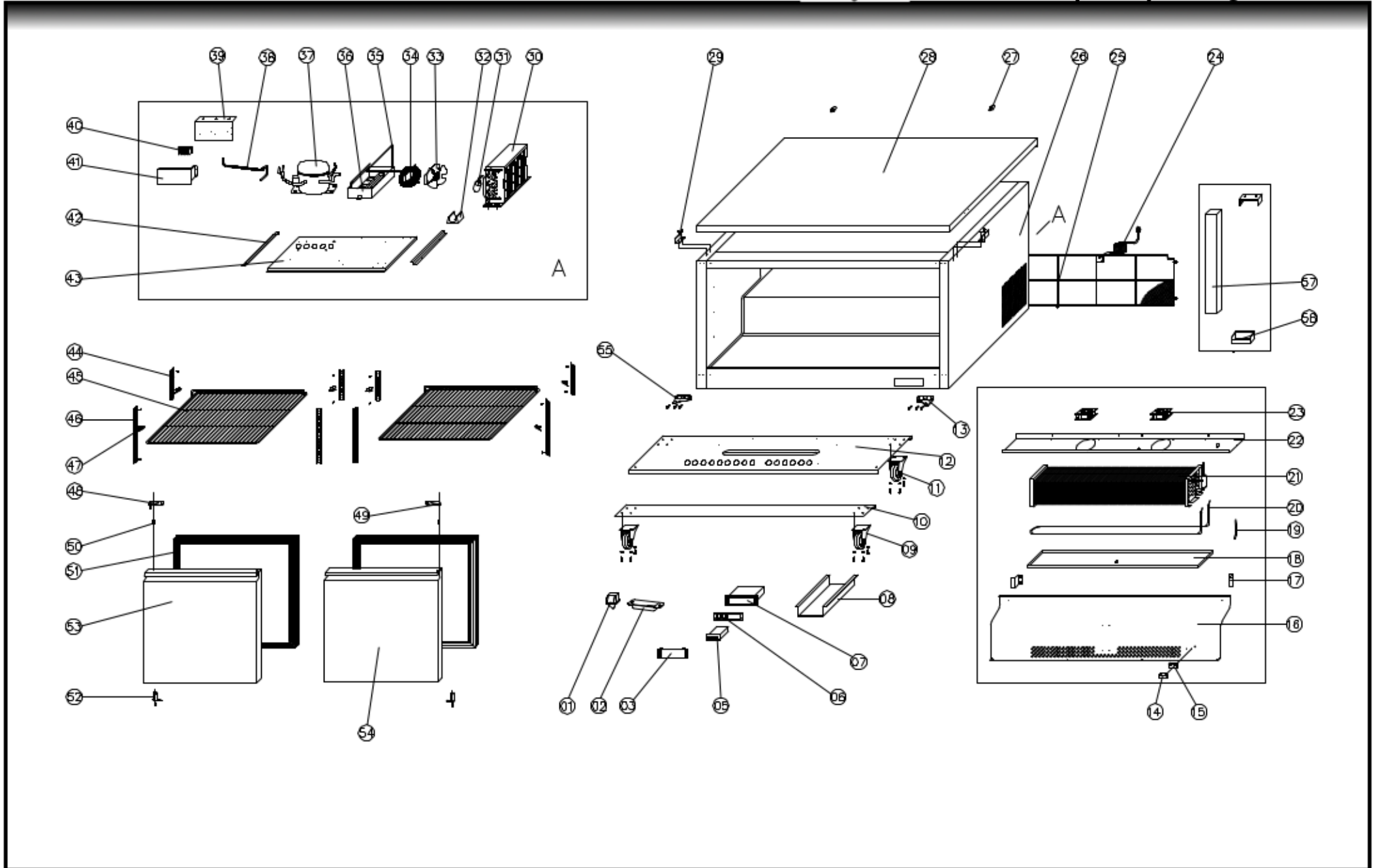


**PARTS EXPLODED VIEW: HC-VPUCF60**

For parts or additional information call support @ 1-813-502-0300



Email: [info@valpromail.com](mailto:info@valpromail.com)  
Web: <http://valprorefrigeration.com>



## SPARE PARTS LIST OF: HC-VPUCF60

| N0. | CODE         | NAME                              | MODEL                        | QTY. | REMARK |
|-----|--------------|-----------------------------------|------------------------------|------|--------|
| 01  | GN650TN.48   | DOOR SWITCH                       | HC-050K4                     | 2PCS |        |
| 02  | D432.70      | DOOR SWITCH CASE                  | EBC2G                        | 1PC  |        |
| 03  | HGD-12R.100  | THERMOSTAT COVER                  | TU27                         | 1PC  |        |
| 05  | 27R.10       | THERMOSTAT                        | XR20C 115V                   | 1PC  |        |
| 06  | HC-TUC27.01  | THERMOSTAT FIX BOARD              | TUC27                        | 1PC  |        |
| 07  | HC-TUC27.02  | THERMOSTAT BOX                    | TUC27                        | 1PC  |        |
| 08  | TUC27.07     | CABLE COVER                       |                              | 1PC  |        |
| 09  | TUC27.01     | BRAKE WHEEL                       | 2.5"                         | 2PCS |        |
| 10  | TUC60.11     | FRONT SUPPORT OF UNIT BOARD       |                              | 1PC  |        |
| 11  | TUC27.04     | NORMAL WHEEL                      | 2.5"                         | 2PCS |        |
| 12  | TUC60.12     | BACK SUPPORT OF UNIT BOARD        |                              | 1PC  |        |
| 13  | GN2100TN.12R | DOOR HINGE/RIGHT                  |                              | 1PC  |        |
| 14  | S900.31      | SENSOR FIXED CLIP                 |                              | 1PC  |        |
| 15  | GN650TN.17   | PROBE PADDING                     |                              | 1PC  |        |
| 16  | TUC60F.01    | EVAPORATOR COVER                  |                              | 1PC  |        |
| 17  | TUC27.11     | FIXED SUPPORT OF EVAPORATOR COVER |                              | 2PCS |        |
| 18  | TUC60F.02    | EVAPORATOR WATER PAN              |                              | 1PC  |        |
| 19  | 27F.13       | PROTECTOR FOR HEATING ELEMENT     |                              | 1PC  |        |
| 20  | HC-TUC60F.01 | DEFROST HEATING ELEMENT           | ETUC60F                      | 1PC  |        |
| 21  | HC-TUC60F.02 | EVAPORATOR                        | ETUC60F                      | 1PC  |        |
| 22  | HC-TUC60F.03 | CIRCLE FAN SUPPORT                | ETUC60F                      | 1PC  |        |
| 23  | HC-TUC27F.04 | CIRCLE FAN                        | 12038/FBA12JM                | 1PC  |        |
| 24  | 27R.14       | PLUG                              | LT312/1.5MM <sup>2</sup> x3G | 1PC  |        |
| 25  | TUC60.05     | UNIT ROOM COVER                   |                              | 1PC  |        |
| 26  | HC-TUC60F.04 | BODY                              | ETUC60F                      | 1PC  |        |

| <b>N0.</b> | <b>CODE</b>  | <b>NAME</b>               | <b>MODEL</b> | <b>QTY.</b> | <b>REMARK</b> |
|------------|--------------|---------------------------|--------------|-------------|---------------|
| 27         | TUC27.16     | LOCATION KNOB             |              | 2PCS        |               |
| 28         | HC-TUC60.04  | TOP                       | ETUC60       | 1PC         |               |
| 29         | TSSU29.06    | TOP CLIP                  |              | 2PCS        |               |
| 30         |              | CONDENSER                 | G-SS45BT     | 1PC         |               |
| 31         | GN1410TN.14  | FILTER DRIER              | 25g          | 1PC         |               |
| 32         | 27F.06       | DRIER SUPPORT             |              | 1PC         |               |
| 33         | 54F.09       | CONDENSER FAN             | BD03-04/CA01 | 1PC         |               |
| 34         | S900.38      | BASKETC GUARD GRILLS      | Φ200         | 1PC         |               |
| 35         | TUC48.22     | EVAPORATE PIPE            | Φ6*0.75      | 1PC         |               |
| 36         | TUC48.23     | WATER BOX                 |              | 1PC         |               |
| 37         | HC-TUC60F.05 | COMPRESSOR                | NEU2140U     | 1PC         |               |
| 38         | HC-TUC60F.06 | SUCTION PIPE              | ETUC60F      | 1PC         |               |
| 39         | TUC48.10     | CONNECTOR SUPPORT         |              | 1PC         |               |
| 40         | 27R.15       | CABLE CONNECTOR           |              | 1PC         |               |
| 41         | TUC48.11     | CONNECTOR COVER           |              | 1PC         |               |
| 42         | TUC48.12     | GUIDE OF UNIT BOARD/LEFT  |              | 1PAIR       |               |
| 43         | TUC48.20     | GUIDE OF UNIT BOARD/RIGHT |              | 1PAIR       |               |
|            | TUC48.13     | UNIT BOARD                |              | 1PC         |               |
| 44         | TUC27.25     | SHELF SUPPORT B           |              | 4PCS        |               |
| 45         | TUC60.07     | SHELF                     |              | 2PCS        |               |
| 46         | TUC27.27     | SHELF SUPPORT A           |              | 4PCS        |               |
| 47         | G350.08      | K SHAPE CLIP              |              | 8PCS        |               |
| 48         | TPP44.29     | UP HINGE/LEFT             |              | 1PC         |               |
| 49         | TPP67.08     | UP HINGE /RIGHT           |              | 1PC         |               |
| 50         | GN2100TN.07  | BUSHING                   | Φ7           | 2PCS        |               |
| 51         | HC-TUC60.07  | GASKET                    | ETUC60       | 1PC         |               |
| 52         | GN650TN.14   | DOOR SPRING HINGE         |              | 2PCS        |               |

| <b>N0.</b> | <b>CODE</b>  | <b>NAME</b>         | <b>MODEL</b> | <b>QTY.</b> | <b>REMARK</b> |
|------------|--------------|---------------------|--------------|-------------|---------------|
| 53         | HC-TUC60.08  | DOOR /LEFT          | ETUC60       | 1PC         |               |
| 54         | HC-TUC60.09  | DOOR /RIGHT         | ETUC60       | 1PC         |               |
| 55         | GN2100TN.12L | DOOR HINGE/LEFT     |              | 1PC         |               |
| 56         | TSSU-48.22   | MIDDLE GIRDER       |              | 1PC         |               |
| 57         | TSSU-48.23   | MIDDLE GIRDER FIXER |              | 2PCS        |               |