

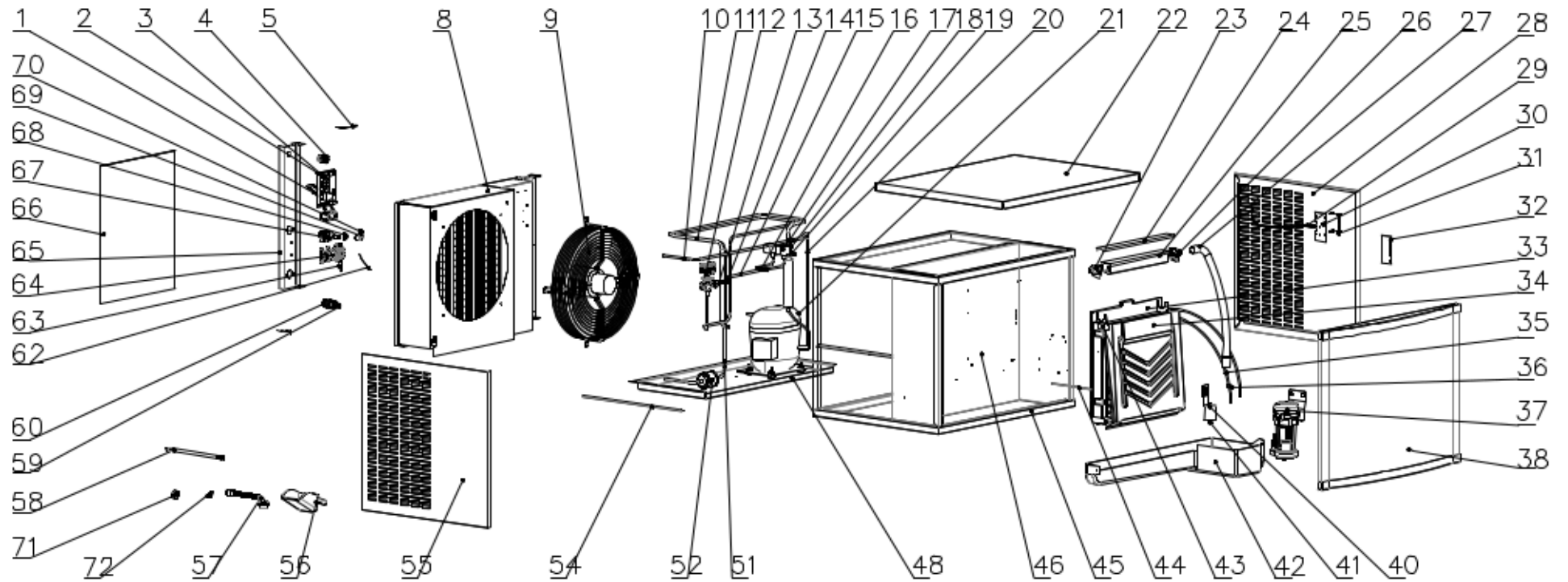
**PARTS EXPLODED VIEW: VPIM1000**

For parts or additional information call support @ 1-813-502-0300



Email: [info@valpromail.com](mailto:info@valpromail.com)

Web: <http://valprorefrigeration.com>



## Parts list - VPIM1000 Ice Maker

Process	Code	Description	Quantity
1	HTIM-280.04	Transformer	1
2	HTIM-420.01	PS plate	1
3	ICM-150-FZ.17	Control	1
4	HTIM-420.02	Cable gland	1
5	ICM-150-FZ.45	Temperature sensor	2
8	HTIM-1000.04	Condenser	1
9	HTIM-600.02	Fan motor 160W	1
10	ICM-150-FZ.61	Condenser inlet pipe	1
11	HTIM-420.07	Suction pipe	1
12	HTIM-420.08	Expansion valve	1
13	HTIM-420.09	Hot gas connecting pipe	1
14	ICM-150-FZ.60A	T-branch copper pipe	1
15	HTIM-420.10	Hot gas pipe	1
16	ICM-150-FZ.60B	T-branch copper pipe	1
17	ICM-150-FZ.62	Hot gas valve DTF-1 4.0	2
18	HTIM-420.11	T-branch copper connect pipe	1
19	ICM-150-FZ.60C	T-branch copper pipe	2
20	ICM-150-FZ.58	Discharge short pipe	1
21	HTIM-1000.03	Compressor ZB15KQE	1
22	HTIM-420.13	Top plate	1
23	HTIM-280.06	Water sprinkler left end	1
24	HTIM-1000.01	Water sprinkler cover	1
25	HTIM-1000.02	Water sprinkler box	1
26	HTIM-280.08	Water sprinkler right end	1
27	ICM-150-FZ.24	Water out tube of pump	1
28	HTIM-420.15	Right side plate	1
29	ICM-150-FZ.35	Display board line	1
30	ICM-150-FZ.39	Display board	1
31	ICM-150-FZ.37	Hexagonal threaded spacer ( 6mm height )	4
32	ICM-150-FZ.36	Display board film	1
33	HTIM-1000.05	Ice mold	1
34	HTIM-1000.06	Water curtain	1
35	ICM-150-FZ.07	PE pipe	0.5M
36	ICM-150-FZ.21	R-pipe clamp	2
37	HTIM-280.09	Water pump	1
38	HTIM-420.18	Door	1
40	ICM-150-FZ.29	Water float shield	1
41	ICM-150-FZ.30	Water float switch	1
42	HTIM-420.19	Water tank	1
43	HTIM-420.20	Water Curtain Axle	2
44	ICM-150-FZ.20	Magnetism switch	1
45	HTIM-420.21	Frame	1
46	HTIM-420.22	Ice mold fixed plate	1
48	HTIM-420.24	Baseplate	1
51	HTIM-420.26	Drier connecting pipe	1
52	ICM-150-FZ.52	Drier	1
54	HTIM-420.27	Side plate fixed plate	2

55	HTIM-420. 28	Left side plate	1
56	ICM-150-FZ. 65	Ice scoop	1
57	ICM-150-FZ. 66	Drain pipe	1
58	HTIM-280. 20	Water supply pipe	1
59	HTIM-420. 31	Fast nut	1
60	ICM-150-FZ. 08	Drain connection	1
62	ICM-150-FZ. 04	Drain pump line	1
63	ICM-150-FZ. 06	Ø5*9 silicone tube	0. 04M
64	ICM-150-FZ. 05	Drain pump	1
65	ICM-150-FZ. 03	Drain plate	1
66	HTIM-420. 32	Air filter	1
67	HTIM-1000. 07	Water inlet valve	1
68	ICM-150-FZ. 11	15# pipe clamp	1
69	ICM-150-FZ. 12	Water inlet valve joint tube	1
70	ICM-150-FZ. 13	9# pipe clamp	1
71	HTIM-280. 19	Water inlet connector	1
72	HTIM-280. 18	Seal gasket	1