

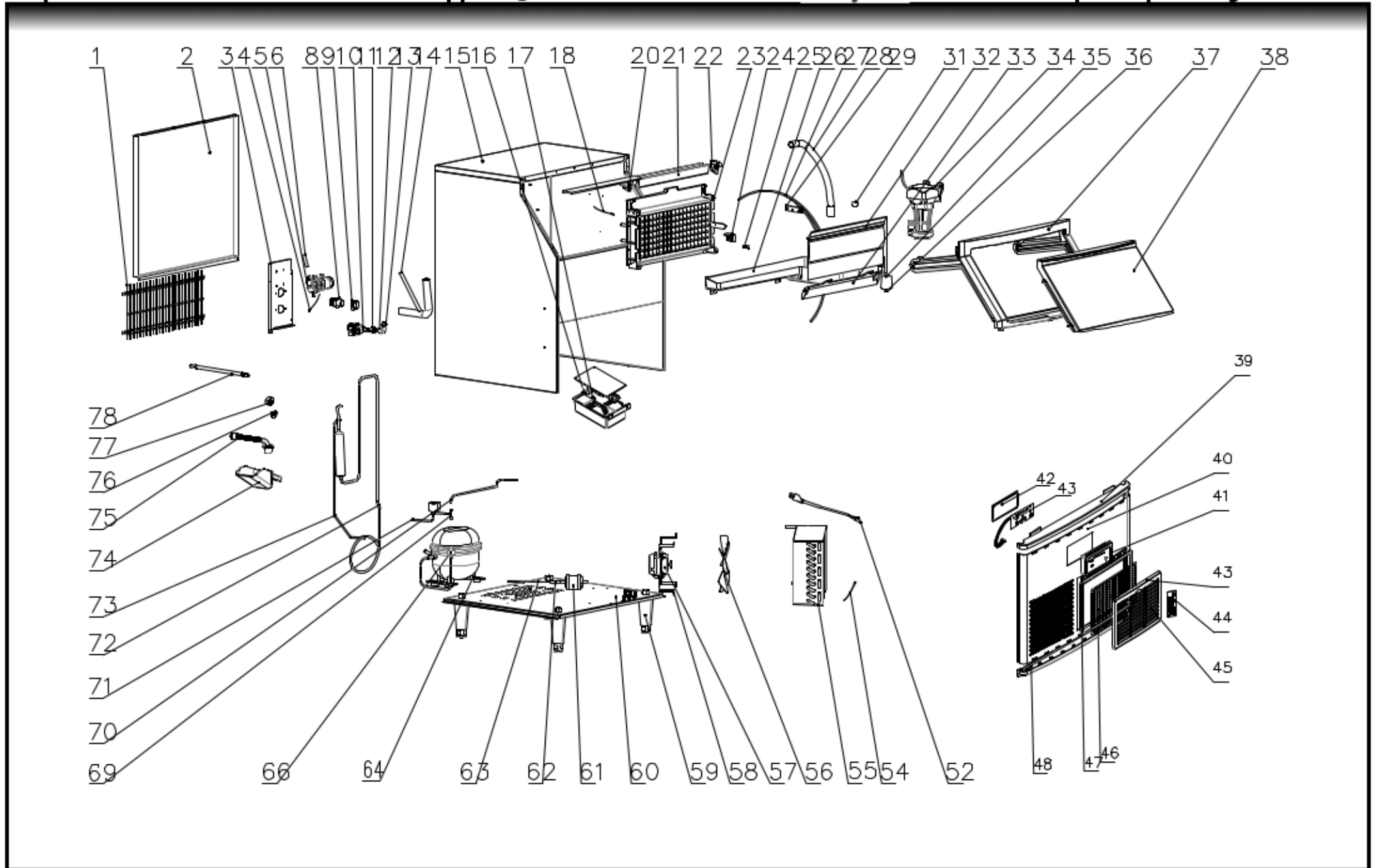
PARTS EXPLODED VIEW: VPIM280

For parts or additional information call support @ 1-813-502-0300



Email: info@valpromail.com

Web: <http://valprorefrigeration.com>



Parts list - VPIM280 Ice Maker

Process	Code	Description	Quantity
1	HTIM-280.01	Ventilation shield	1
2	ICM-150-FZ.02	Back panel	1
3	ICM-150-FZ.03	Drain plate	1
4	ICM-150-FZ.04	Drain pump line	1
5	ICM-150-FZ.05	Drain pump	1
6	ICM-150-FZ.06	Ø5*9 silicone tube	0.04M
8	ICM-150-FZ.08	Drain connection	1
9	ICM-150-FZ.09	23# pipe clamp	1
10	HTIM-280.02	Water inlet valve	1
11	ICM-150-FZ.11	15# pipe clamp	1
12	ICM-150-FZ.12	Water inlet valve joint tube	1
13	ICM-150-FZ.13	9# pipe clamp	1
14	ICM-150-FZ.14	Drain t-branch pipe	1
15	HTIM-280.03	Foaming cabinet	1
16	HTIM-280.04	Transformer	1
17	ICM-150-FZ.17	Control	1
18	ICM-150-FZ.18	Temperature sensor	1
19	HTIM-280.05	Water sprinkler cover	1
20	HTIM-280.06	Water sprinkler left end	1
21	HTIM-280.07	Water sprinkler box	1
22	HTIM-280.08	Water sprinkler right end	1
23	ICM-150-FZ.19	Ice mold	1
24	ICM-150-FZ.20	Magnetism switch	1
25	ICM-150-FZ.21	R-pipe clamp	2
26	ICM-150-FZ.22	Water tank	1
27	ICM-150-FZ.23	PE pipe	1.1M
28	ICM-150-FZ.24	Water out tube of pump	1
29	ICM-150-FZ.25	Water Curtain Axle	2
31	ICM-150-FZ.68	Silicone plug	1
32	ICM-150-FZ.26	Water curtain	1
33	ICM-150-FZ.27	Ice slideway	1
34	HTIM-280.09	Water pump	1
35	ICM-150-FZ.29	Water float shield	1
36	ICM-150-FZ.30	Water float switch	1
37	ICM-150-FZ.31	Door frame	1
38	ICM-150-FZ.32	Door	1
39	ICM-150-FZ.33	Louver horizontal decorative sheet	1
40	ICM-150-FZ.34	Louver left block	1
41	ICM-150-FZ.35	Display board line	1
42	ICM-150-FZ.36	Display board film	1
43	ICM-150-FZ.37A	Hexagonal threaded spacer (6mm height)	4
44	ICM-150-FZ.38	Louver vertical decorative sheet	1
45	ICM-150-FZ.39	Display board	1
46	ICM-150-FZ.40	Louver right block	1
47	ICM-150-FZ.41	Louver	1
48	ICM-150-FZ.37C	Hexagonal threaded spacer (35mm height)	2
49	ICM-150-FZ.42	Vertical decorative sheet support	1

52	HTIM-280. 12	Power cord	1
54	ICM-150-FZ. 45	Temperature sensor	1
55	ICM-150-FZ. 46	Condenser	1
56	ICM-150-FZ. 47A	Fan blade(φ230X31°)	1
57	HTIM-280. 14	Fan motor 9W	1
58	ICM-150-FZ. 49	Fan motor holder	4
59	HTIM-280. 15	Foot	4
60	ICM-150-FZ. 51	Basepalte	1
61	ICM-150-FZ. 52	Drier	1
62	ICM-150-FZ. 53	Drier connecting pipe	1
63	ICM-150-FZ. 54	Capillary tube Ø1.8	1. 325M
64	HTIM-280. 16	Compressor NEK6213GK	1
66	ICM-150-FZ. 57	Silencer	1
69	ICM-150-FZ. 60	T-branch copper pipe	1
70	ICM-150-FZ. 61	Condenser inlet pipe	1
71	HTIM-280. 17	Hot gas valve DTF-1 4.0	1
72	ICM-150-FZ. 63	Suction pipe	1
73	ICM-150-FZ. 64	Hot gas pipe	1
74	ICM-150-FZ. 65	Ice scoop	1
75	ICM-150-FZ. 66	Drain pipe	1
76	HTIM-280. 18	Seal gasket	1
77	HTIM-280. 19	Water inlet connector	1
78	HTIM-280. 20	Water supply pipe	1