

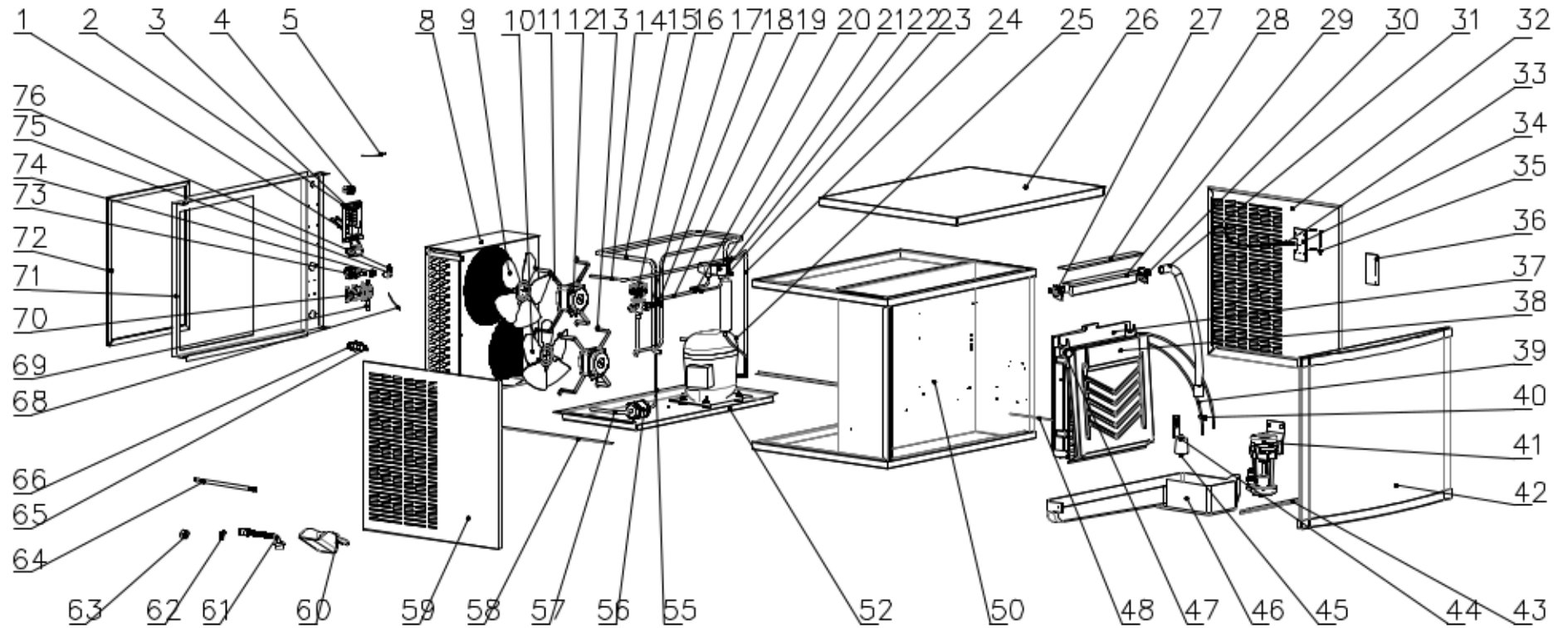
PARTS EXPLODED VIEW: VPIM420

For parts or additional information call support @ 1-813-502-0300



Email: info@valpromail.com

Web: <http://valprorefrigeration.com>



Parts list - VPIM420 Ice Maker

Process	Code	Description	Quantity
1	HTIM-280.04	Transformer	1
2	HTIM-420.01	PS plate	1
3	ICM-150-FZ.17	Control	1
4	HTIM-420.02	Cable gland	1
5	ICM-150-FZ.45	Temperature sensor	2
8	HTIM-420.04	Condenser	1
9	ICM-150-FZ.47A	Fan blade(φ230X31°)	1
10	ICM-150-FZ.47C	Fan blade(φ254X28°)	1
11	ICM-150-FZ.49	Fan motor holder	4
12	HTIM-420.05	Fan motor 18W	2
13	HTIM-420.06	Fan motor holder	4
14	ICM-150-FZ.61	Condenser inlet pipe	1
15	HTIM-420.07	Suction pipe	1
16	HTIM-420.08	Expansion valve	1
17	HTIM-420.09	Hot gas connecting pipe	1
18	ICM-150-FZ.60A	T-branch copper pipe	1
19	HTIM-420.10	Hot gas pipe	1
20	ICM-150-FZ.60B	T-branch copper pipe	1
21	ICM-150-FZ.62	Hot gas valve DTF-1 4.0	2
22	HTIM-420.11	T-branch copper connect pipe	1
23	ICM-150-FZ.60C	T-branch copper pipe	2
24	ICM-150-FZ.58	Discharge short pipe	1
25	HTIM-420.30	Compressor NEK6213GK	1
26	HTIM-420.13	Top plate	1
27	HTIM-280.06	Water sprinkler left end	1
28	HTIM-420.13	Water sprinkler cover	1
29	HTIM-420.14	Water sprinkler box	1
30	HTIM-280.08	Water sprinkler right end	1
31	ICM-150-FZ.24	Water out tube of pump	1
32	HTIM-420.15	Right side plate	1
33	ICM-150-FZ.35	Display board line	1
34	ICM-150-FZ.39	Display board	1
35	ICM-150-FZ.37	Hexagonal threaded spacer (6mm height)	4
36	ICM-150-FZ.36	Display board film	1
37	HTIM-420.16	Ice mold	1
38	HTIM-420.17	Water curtain	1
39	ICM-150-FZ.07	PE pipe	0.5M
40	ICM-150-FZ.21	R-pipe clamp	2
41	HTIM-280.09	Water pump	1
42	HTIM-420.18	Door	1
44	ICM-150-FZ.29	Water float shield	1
45	ICM-150-FZ.30	Water float switch	1
46	HTIM-420.19	Water tank	1
47	HTIM-420.20	Water Curtain Axle	2
48	ICM-150-FZ.20	Magnetism switch	1
49	HTIM-420.21	Frame	2
50	HTIM-420.22	Ice mold fixed plate	1

52	HTIM-420. 24	Basepalte	1
55	HTIM-420. 26	Drier connecting pipe	1
56	ICM-150-FZ. 52	Drier	1
58	HTIM-420. 27	Side plate fixed plate	2
59	HTIM-420. 28	Left side plate	1
60	ICM-150-FZ. 65	Ice scoop	1
61	ICM-150-FZ. 66	Drain pipe	1
62	HTIM-280. 18	Seal gasket	1
63	HTIM-280. 19	Water inlet connector	1
64	HTIM-280. 20	Water supply pipe	1
65	HTIM-420. 31	Fast nut	1
66	ICM-150-FZ. 08	Drain connection	1
68	ICM-150-FZ. 04	Drain pump line	1
69	ICM-150-FZ. 06	Ø5*9 silicone tube	0. 04M
70	ICM-150-FZ. 05	Drain pump	1
71	HTIM-420. 29	Back panel	1
72	HTIM-420. 32	Air filter	1
73	HTIM-280. 02	Water inlet valve	1
74	ICM-150-FZ. 11	15# pipe clamp	1
75	ICM-150-FZ. 12	Water inlet valve joint tube	1
76	ICM-150-FZ. 13	9# pipe clamp	1