

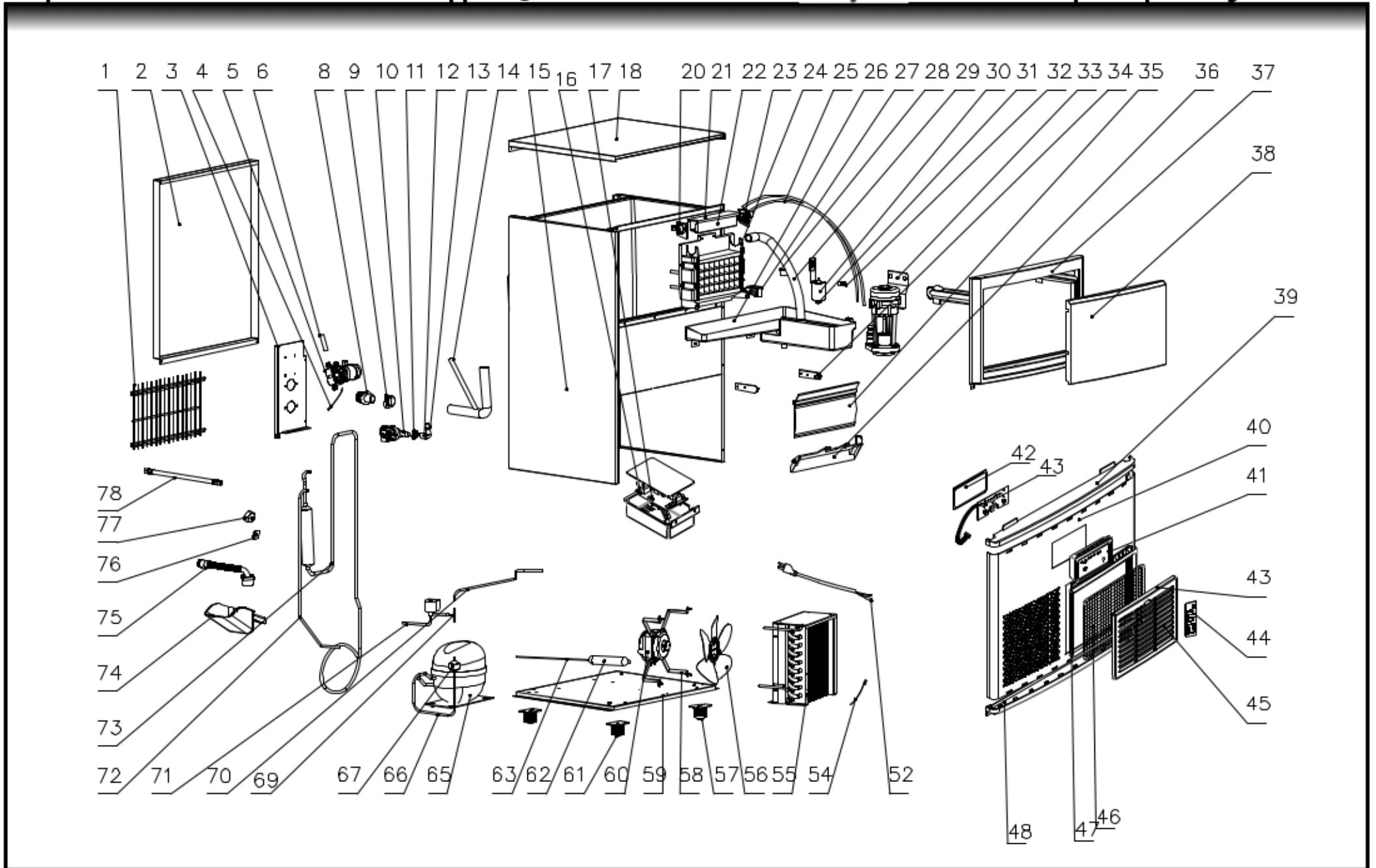
PARTS EXPLODED VIEW: VPIM55

For parts or additional information call support @ 1-813-502-0300



Email: info@valpromail.com

Web: <http://valprorefrigeration.com>



Parts list - VPIM55 Ice Maker

Process	Code	Description	Quantity
1	HTIM-85.01	Ventilation shield	1
2	HTIM-55.01	Back panel	1
3	ICM-150-FZ.03	Drain plate	1
4	ICM-150-FZ.04	Drain pump line	1
5	ICM-150-FZ.05	Drain pump	1
6	ICM-150-FZ.06	Ø5*9 silicone tube	0.04M
8	ICM-150-FZ.08	Drain connection	1
9	ICM-150-FZ.09	23# pipe clamp	2
10	HTIM-280.02	Water inlet valve	1
11	ICM-150-FZ.11	15# pipe clamp	1
12	ICM-150-FZ.12	Water inlet valve joint tube	1
13	ICM-150-FZ.13	9# pipe clamp	1
14	ICM-150-FZ.14	Drain t-branch pipe	1
15	HTIM-55.02	Foaming cabinet	1
16	HTIM-280.01	Transformer	1
17	HTIM-55.03	Control	1
18	HTIM-55.04	Top panel	1
20	HTIM-280.06	Water sprinkler left end	1
21	HTIM-55.06	Water sprinkler cover	1
22	HTIM-55.07	Water sprinkler box	1
23	HTIM-280.08	Water sprinkler right end	1
24	HTIM-55.08	Ice mold	1
25	ICM-150-FZ.23	PE pipe	0.95 M
26	ICM-40-FZ.03	Water tank	1
27	ICM-150-FZ.20	Magnetism switch	1
28	ICM-150-FZ.68	Silicone plug	1
29	ICM-150-FZ.24	Water out tube of pump	1
30	ICM-150-FZ.29	Water float shield	1
31	ICM-150-FZ.30	Water float switch	1
32	ICM-150-FZ.21	R-pipe clamp	2
33	HTIM-55.09	Water pump	1
34	ICM-150-FZ.25	Water Curtain Axle	2
35	ICM-150-FZ.26	Water curtain	1
36	HTIM-55.10	Ice slideway	1
37	ICM-40-FZ.06	Door frame	1
38	ICM-40-FZ.07	Door	1
39	ICM-40-FZ.08	Louver horizontal decorative sheet	1
40	ICM-40-FZ.09	Louver	1
41	ICM-150-FZ.34	Louver left block	1
42	ICM-150-FZ.38	Louver vertical decorative sheet	1
43	ICM-150-FZ.35	Display board line	1
44	ICM-150-FZ.36	Display board film	1
45	ICM-150-FZ.37	Hexagonal threaded spacer (6mm height)	4
46	ICM-150-FZ.39	Display board	1
47	ICM-150-FZ.40	Louver right block	1
48	ICM-150-FZ.37B	Hexagonal threaded spacer (25mm height)	2
49	ICM-150-FZ.42	Vertical decorative sheet support	1

52	HTIM-280. 12	Power cord	1
54	ICM-150-FZ. 45	Temperature sensor	2
55	HTIM-55. 11	Condenser	1
56	ICM-150-FZ. 47B	Fan blade($\varphi 200 \times 28^\circ$)	1
57	HTIM-280. 15	Left castor	2
58	ICM-150-FZ. 49	Fan motor holder	4
59	HTIM-55. 12	Basepalte	1
60	HTIM-55. 13	Fan motor 4W	1
61	HTIM-280. 15	Right castor	2
62	ICM-40-FZ. 15	Drier	1
63	ICM-40-FZ. 16	Capillary tube $\varnothing 1.8$	1. 1M
65	HTIM-55. 14	Compressor GML175D	1
66	ICM-40-FZ. 18	Discharge short pipe	1
67	ICM-150-FZ. 57	Silencer	1
69	ICM-150-FZ. 60	T-branch copper pipe	1
70	HTIM-55. 15	Condenser inlet pipe	1
71	HTIM-55. 16	Hot gas valve DTF-1 2.0	1
72	ICM-40-FZ. 21	Hot gas pipe	1
73	ICM-150-FZ. 63	Suction pipe	1
74	ICM-150-FZ. 65	Ice scoop	1
75	ICM-150-FZ. 66	Drain pipe	1
76	HTIM-280. 18	Seal gasket	1
77	HTIM-280. 19	Water inlet connector	1
78	HTIM-280. 20	Water supply pipe	1